



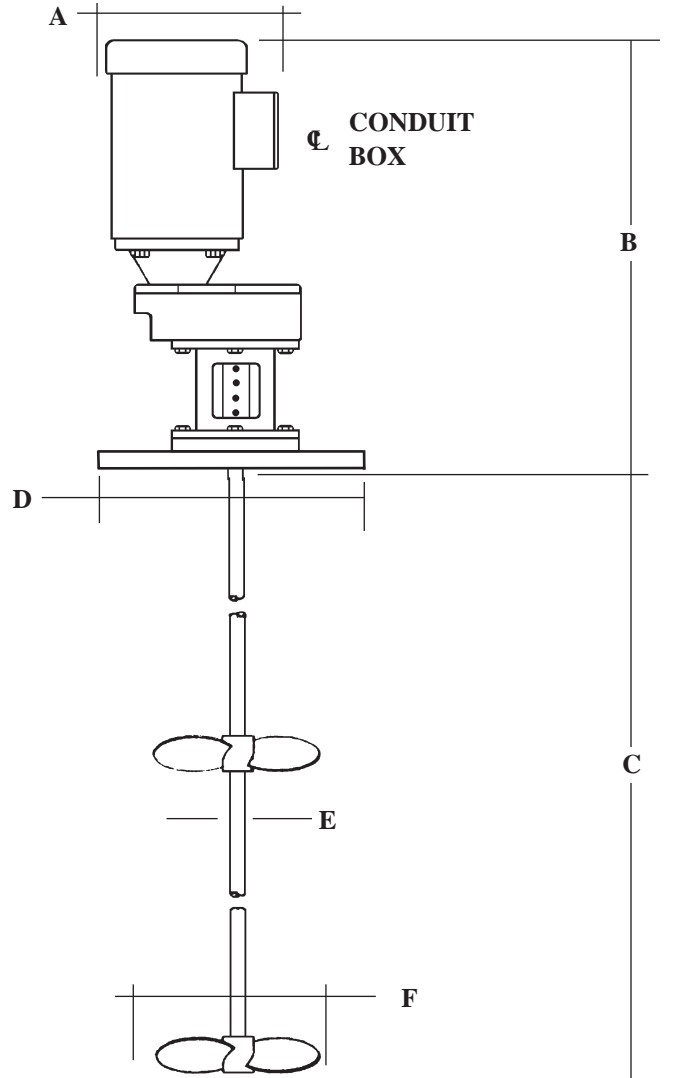
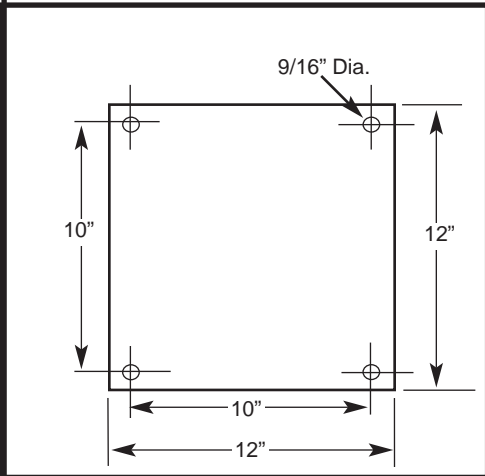
SPECIFICATION SHEET SERIES 700 GEAR DRIVE

Avail Models: Electric (TEFC), Air, X-proof, Vari-speed

4310 North 126th Street Brookfield, WI 53005 (U.S.A.)
 Phone: 262-781-5020 Fax: 262-781-8120
www.Grovhac.com

- OPTIONS INCLUDE:**
 16" x 16" SQ. Flanges
 150# Flanges
 Double Mechanical Seal
 Stuffing Box
 Angle Mount

Mounting Hole Pattern



MODEL	H.P.	R.P.M.	* A	* B	* C	D	E	SINGLE G	DUAL G
700-250-GD	.25	425	11.5"	24.8"	36"	12"	1"	9"	8"
700-333-GD	.33	425	11.5"	24.8"	36"	12"	1"	10"	9"
700-500-GD	.50	425	11.5"	24.8"	36"	12"	1"	11"	10"
700-750-GD	.75	425	11.5"	24.8"	36"	12"	1"	12"	11"
700-1000-GD	1.00	425	11.5"	24.8"	36"	12"	1.25"	12"	11"
700-1500-GD	1.50	425	11.5"	25.9"	36"	12"	1.25"	14"	12"
700-2000-GD	2.00	425	11.5"	32.7"	36"	12"	1.25"	15"	14"

* MAY VARY WITH PHASE OR ENCLOSURES.